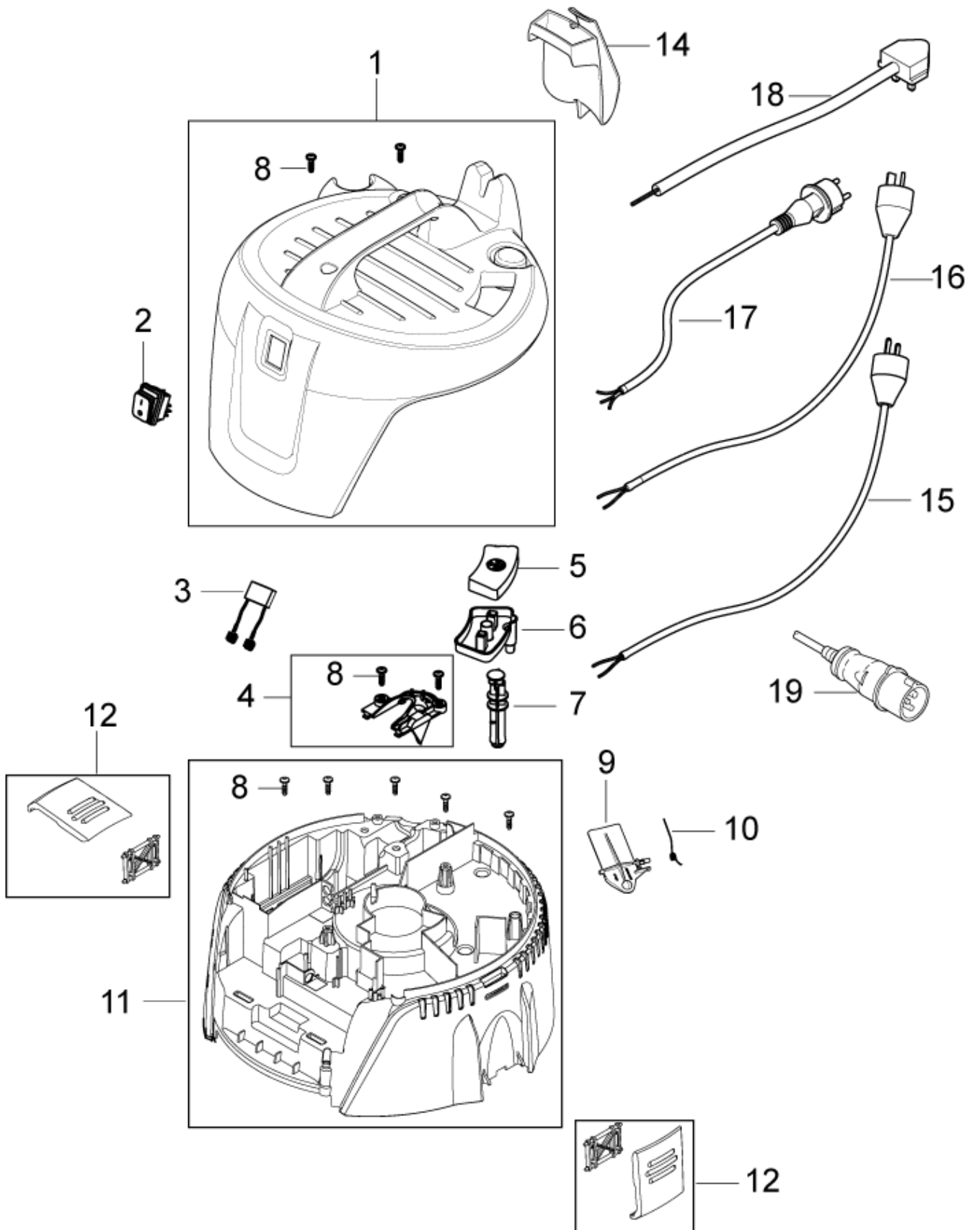


Model : 90121 AERO 21

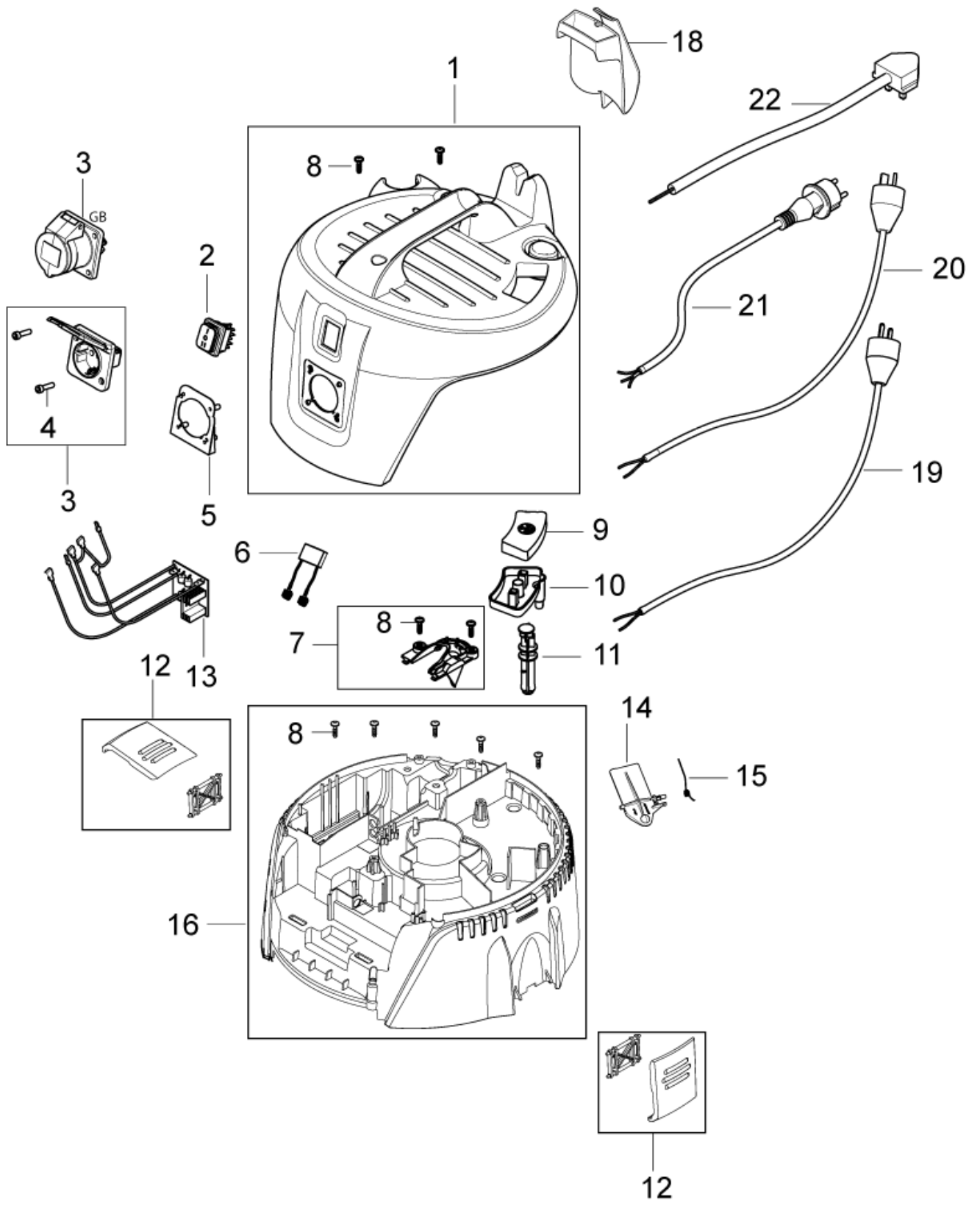
Drawing : AERO2101 Hood 21-01 PC



IA	Pos. no.	Qty.	Item no.	Item Text
	01	1	107409124	HEAD COVER BASIC
	02	1	107404540	SWITCH 0-1 DOUBLE POLE SET
	03	1	107404542	ANTI-INTEFERENCE CAPACITOR SET
	04	1	107409125	CABLE OUTLET
	05	1	107409126	PC-BUTTON
	06	1	107409127	PC DRAIN HOUSING
	07	1	107409128	PC ROD BASIC
	08	1	302003704	SCREW EJOT DELTA PT50X18WN5451
	09	1	107409129	PC FLAP - KIT
	10	1	909100083	TORSION SPRING D0.9X18X45 INOX
	11	1	107409132	AERO CLAMPING PLATE
	12	2	107409130	CLAMP
	14	1	107409981	HOSE/CABLE HOOK, AERO 21
	15	1	302002394	POWERCORD H05VV-F 2X0.75X5.7M
	16	1	302000455	POWER CORD SJTW-A AWG18/2X8.25
	16	1	302002392	POWERCORD AWG 18/2 SJTW X5.7M
	17	1	302000452	POWER CORD H05RR-F 2X0.75X8.25 M
	18	1	60904	POWER CORD H05VV-F 2X0.75X5.7M
	19	1	60282	POWER CORD H07BQ-F 2X1.5 SQUAR

Model : 90121 AERO 21

Drawing : AERO2103 Hood 21-21 PC

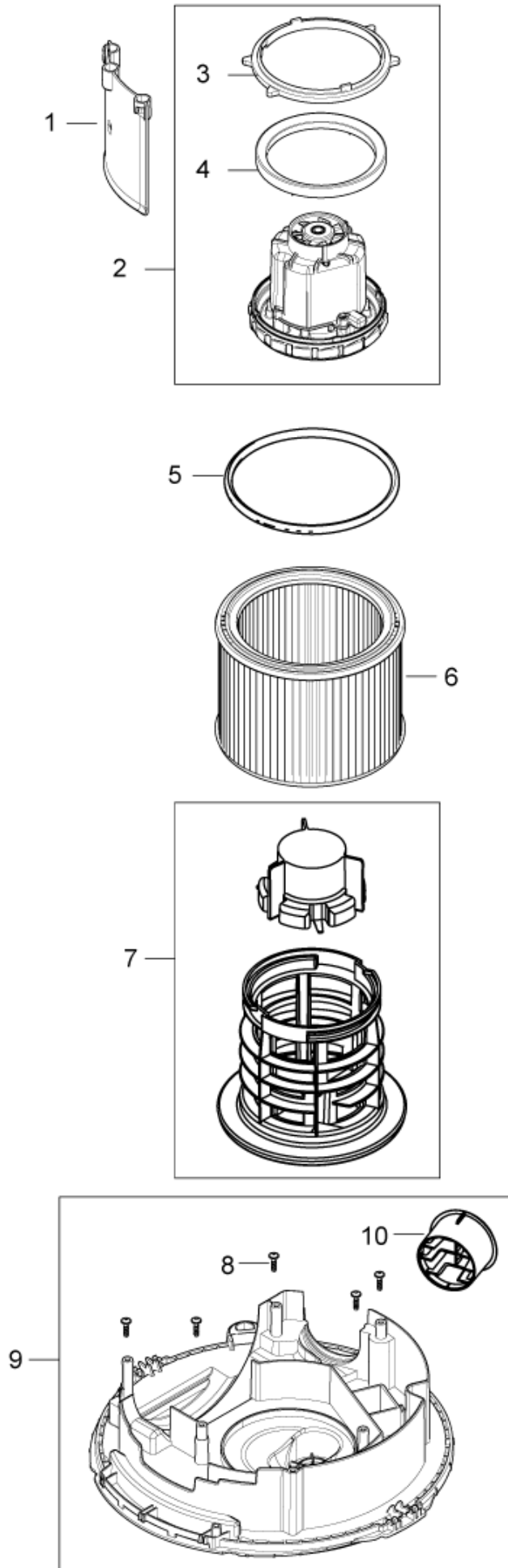


IA	Pos. no.	Qty.	Item no.	Item Text
	01	1	107409134	AERO 21 HEAD COVER
	02	1	107409135	SWITCH 1-0-TOOL
	03	1	107400059	SOCKET 16A/250V CH
	03	1	302004034	SOCKET 16A/250V EU
	04	2	302003705	SCREW EJOT DELTA PT35X18WN5451
	05	1	302002052	PLUG SOCKET PLATE
	06	1	107404542	ANTI-INTEFERENCE CAPACITOR SET
	07	1	107409125	CABLE OUTLET
	08	9	302003704	SCREW EJOT DELTA PT50X18WN5451
	09	1	107409126	PC-BUTTON
	10	1	107409127	PC DRAIN HOUSING
	11	1	107409128	PC ROD BASIC
	12	2	107409130	CLAMP
	13	1	107409148	
	14	1	107409129	PC FLAP - KIT
	15	1	909100083	TORSION SPRING D0.9X18X45 INOX
	16	1	107409132	AERO CLAMPING PLATE
	18	1	107409981	HOSE/CABLE HOOK, AERO 21
	19	1	61130	POWERCORD H05VV-F 3G1.5X5.7M C
	20	1	302000882	POWER CORD SJTW-AWG16/3X8
	21	1	61132	POWERCORD HO5VV-F 3G1.0X5.7 SN

Model : 90121 AERO 21

Drawing : AERO2105 Motor and filter

---

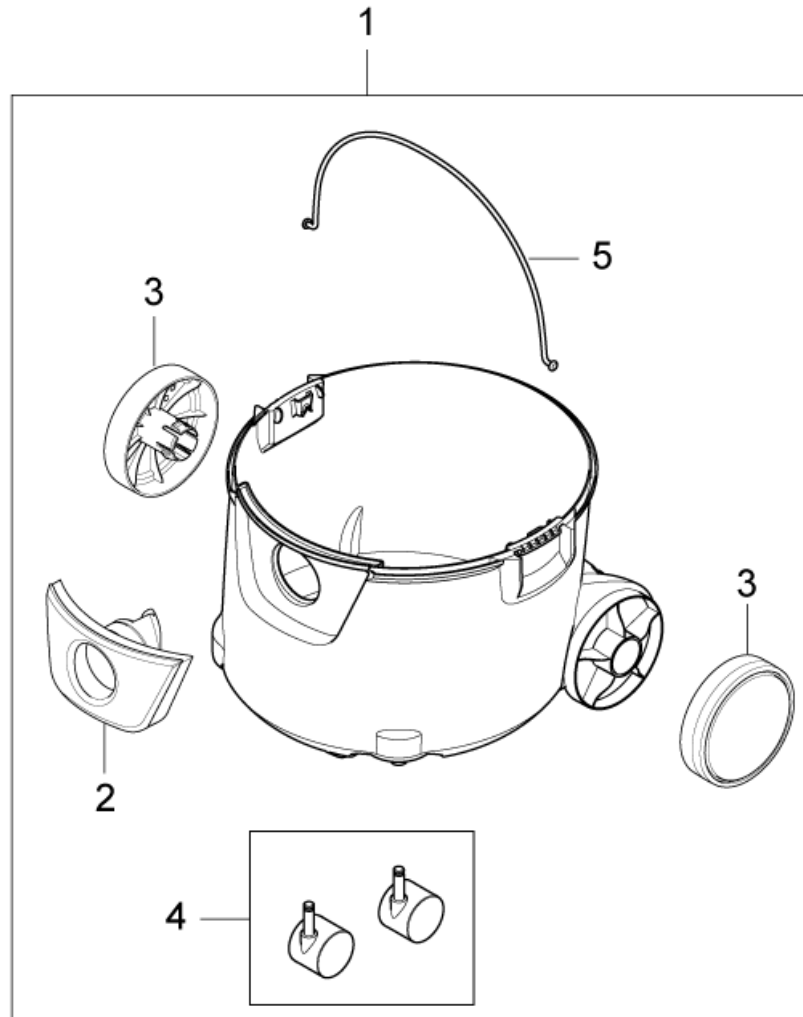


IA	Pos. no.	Qty.	Item no.	Item Text
	01	1	107409159	DEFLECTOR SHIELD
	02	1	107409160	MOTOR 230V
	02	1	107409161	MOTOR 230V
	02	1	107409162	
	03	1	107409163	UPPER MOTOR SEALING
	04	1	107409164	LOWER MNOTOR SEALING
	05	1	107409165	SEALING FILTER
	06	1	302000490	FILTER ELEMENT Ø185X140 PET M-CLASS
	07	1	107409177	
	08	5	302003704	SCREW EJOT DELTA PT50X18WN5451
	09	1	107409166	BASEPLATE WITH OUTLET
	10	1	107409167	OUTLET

Model : 90121 AERO 21

Drawing : AERO2107 Container 20L plast

---



**Model : 90121 AERO 21**

23-08-2013 10:21:08

**Partlist : AERO2108 Container 20L plast**

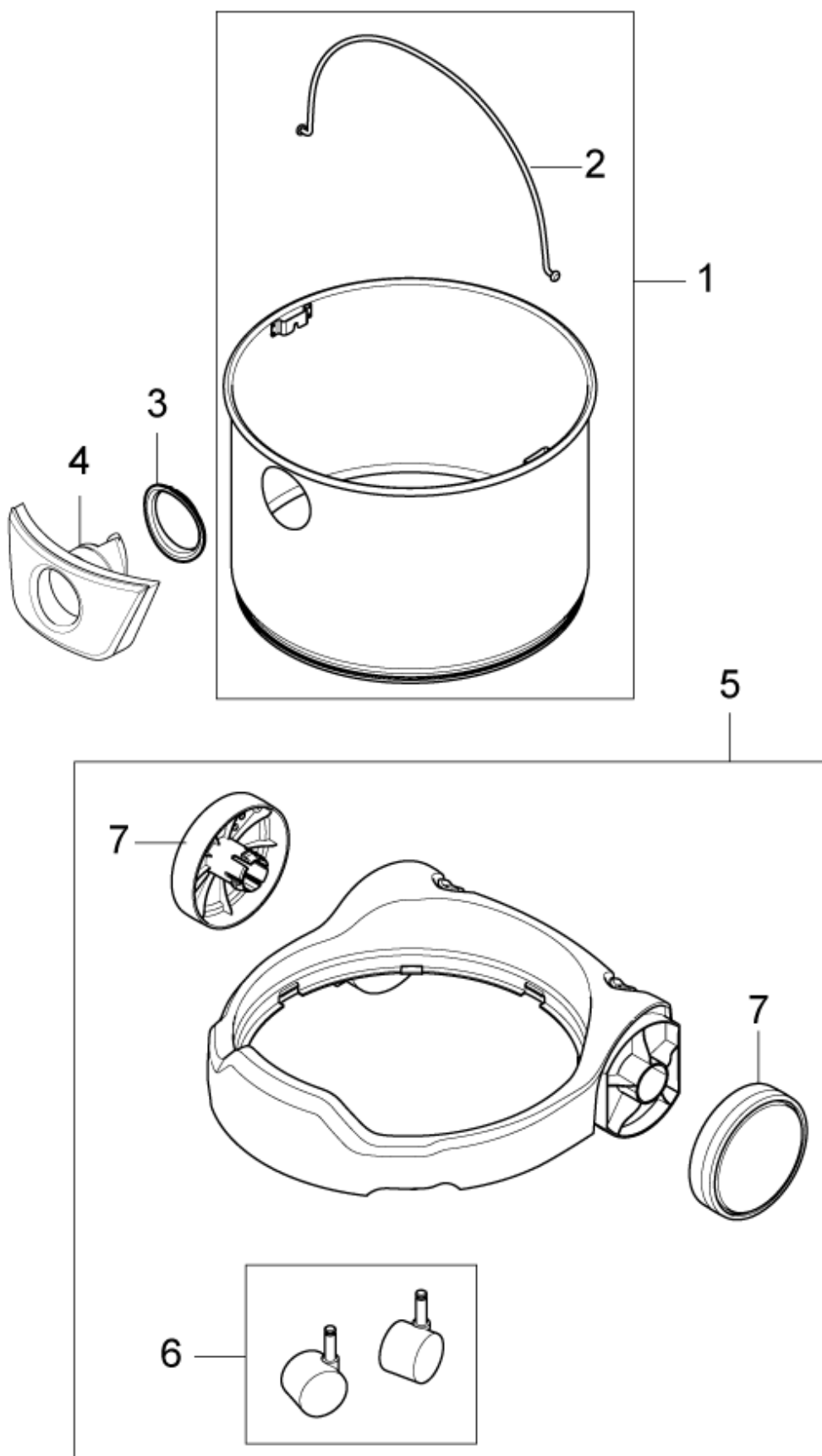
Page : 1

<b>IA</b>	<b>Pos. no.</b>	<b>Qty.</b>	<b>Item no.</b>	<b>Item Text</b>
	01	1	107409168	AERO CONTAINER 20L CPL.
	02	1	107409169	INLET FITTING
	03	2	107409170	WHEEL D130
	04	1	140 6422 500	WHEELS LINK 50MM
	05	1	107409171	HANDLE CONTAINER



Model : 90121 AERO 21

Drawing : AERO2109 Container 20L INOX



**Model : 90121 AERO 21**

23-08-2013 10:21:25

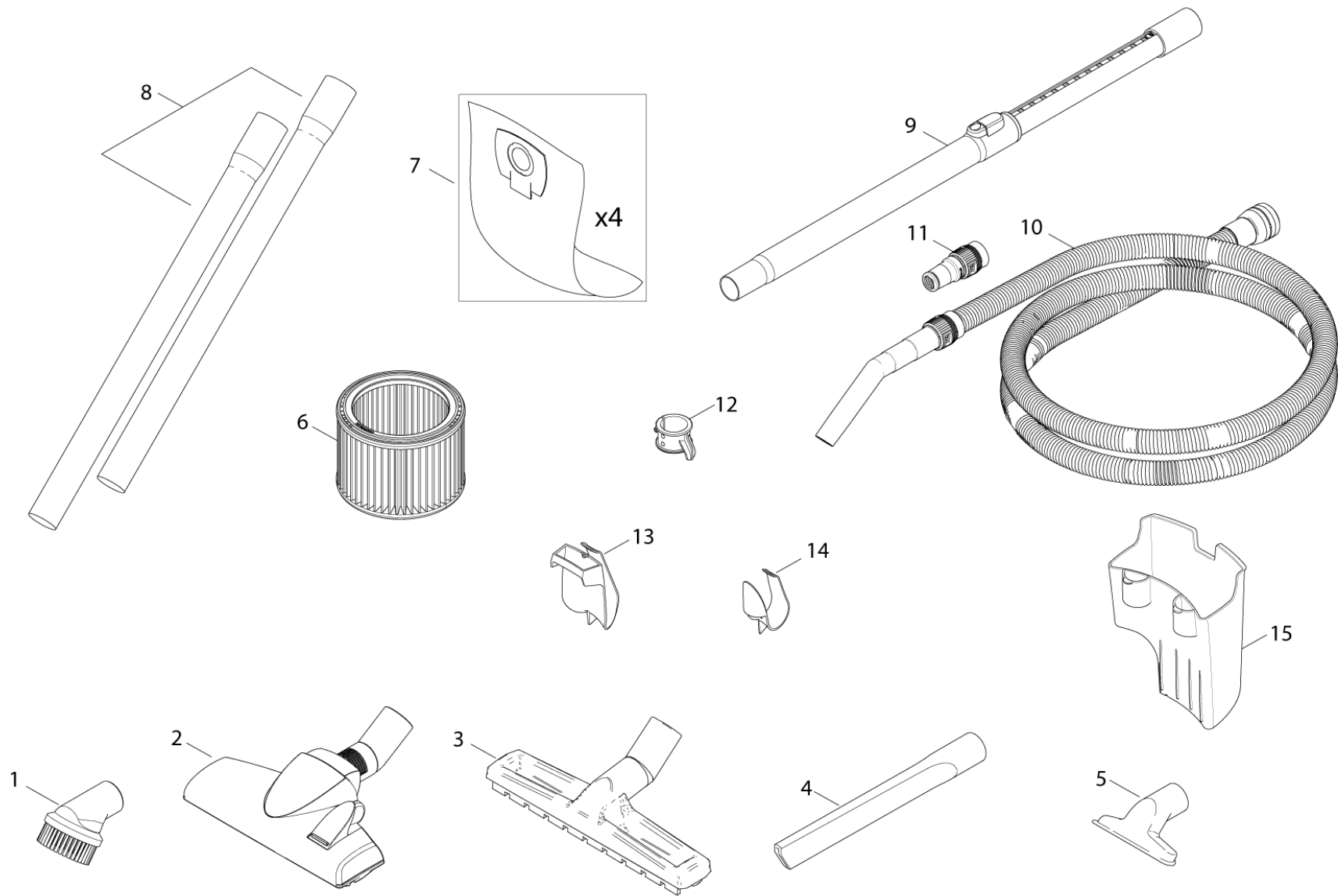
**Partlist : AERO2110 Container 20L INOX**

Page : 1

<b>IA</b>	<b>Pos. no.</b>	<b>Qty.</b>	<b>Item no.</b>	<b>Item Text</b>
	01	1	107409172	AERO CONTAINER INOX WITH HANDLE
	02	1	107409171	HANDLE CONTAINER
	03	1	107409173	
	04	1	107409169	INLET FITTING
	05	1	107409174	TROLLEY CPL.
	06	1	140 6422 500	WHEELS LINK 50MM
	07	2	107409170	WHEEL D130

Model : 90121 AERO 21

Drawing : AERO2111 Accessories



**Partlist : AERO2112 Accessories**

<b>IA</b>	<b>Pos. no.</b>	<b>Qty.</b>	<b>Item no.</b>	<b>Item Text</b>
	01	1	302002509	SUCTION BRUSH D36 BLACK
	02	1	302002365	SOIL NOZZLE SWITCHABLE
	03	1	107402706	FLOOR NOZZLE D36 W/D -KIT
	03	1	107407310	FLOOR NOZZLE D32 RUBBER STRIP
	03	1	107407311	FLOOR NOZZLE D32 BRUSH
	04	1	29541	CREVICE NOZZLE D36X200
	05	1	14295	UNIVERSAL NOZZLE D36X115
	06	1	302000490	FILTER ELEMENT Ø185X140 PET M-CLASS
	07	1	302002404	FILTER BAG AERO 4 PCS
	08	1	107400032	EXTENSION TUBE D36 2X500MM ALU
	08	1	302000529	EXTEN TUBE D36 2X505MM ST/CR
	08	1	40696	EXTENS TUBE PLASTIC SET 2
	09	1	107402654	TELESCOPIC TUBE D36 575-930MM CR-ST
	09	1	107402705	TELESCOPIC TUBE PLAST.-KIT
	10	1	107405599	SUCTION HOSE D32X2500 CPL.
	10	1	107405600	SUCTION HOSE D32x1900 CPL.
	10	1	107406115	SUCTION HOSE D32X3500 CPL.
	10	1	107409976	UNIV HOSE WITH HAND TUBE D32X3500 CPL.
	11	1	107409977	TOOL ADAPTER WITH SUCTION REGULATION D32
	12	1	107409978	TUBE HOLDER KIT D32
	12	1	107409979	TUBE HOLDER KIT D36
	13	1	107409981	HOSE/CABLE HOOK, AERO 21
	14	1	107409982	HOSE/CABLE HOOK, AERO 26/31
	15	1	107409980	TOOL BOX, AERO 26/31